

Equipment

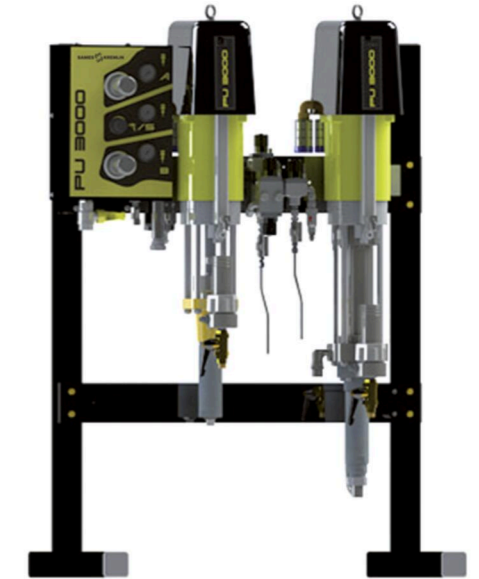
Designation	Mixing ratio	Pressure ratio	Max flowrate	Number of base	Number of catalyst	number of solvent	Part number
PU 3000	50:1-1:1	30:1	2000cc (0.4 gal)	1	1	1	155680110
PU 3000	50:1-1:1	30:1	4000cc (0.8 gal)	1	1	1	155680155

Accessories

Designation	Part number
30C25 FLUSHING	151145090



PU3000 Airmix®

Plural Mixing Component and Dosing Paint Pump



Airmix® / Machines & Controllers

READY TO USE INNOVATIVE AND SIMPLE MIXING AND DOSING SOLUTION

-  **User friendly**
-  **Material mixing quality**
-  **Security of application**

Markets



BOND • PROTECT • BEAUTIFY



## PU3000 Airmix®

Plural Mixing Component and Dosing Paint Pump

The PU3000 Airmix® combines electronic control and mechanical dosing & mixing and includes pumping, metering & electronic functions. The user-friendly control box allows the operator to intuitively learn how to operate the machine. It is available in 2 versions : 2 liters and 4 liters

Mecatronic dosing equipment, innovative and patented solution, PU 3000 includes pumping, metering and electronic (Plug & Spray).

Its intuitive use requires few learning. The PULSE FREE ELECTRONIC CONTROL (PFE) **Sames** patent, an innovation in the control of pump change over is the only one in the world that prevents any lack of product during injection - base or catalyst - which could alter the quality of dosing. It also allows to follow in real time the ratio - WYSIWYG - the displayed ratio is the real ratio.

The injectmix system allows to inject a customizable catalyst volume in a continuous flow of base - directly in a very high performance mixern which gurantees the mixing quality.

The FLOWMAX® technology - fluid section with sealing made with a bellow - used on the catalyst side prevents its crystallization. The electronic technology alerts if needed and constantly monitors the actual material consumption of products years calculates the VOC's.

WYSIWYG: What You See Is What You Get



### Technical data table

Designation	Value	Unit: metric (US)
Ratio	1/1 - 20/1	X/1
Electrical Power	230V/115V - 10W	V
Mixing Accuracy	+/- 1	%
Maximum Fluid Pressure	200 (2900)	bar (psi)
Recommended Fluid Pressure	30-180 (436-2610)	bar (psi)
Maximum Fluid Output	2000 (2l) - 4000 (4l)	cc/min (oz/min)
Maximum Temperature	50 (122)	°C (°F)
Air Inlet	F 3/4 BSP	
Fluid Outlet	F 3/4 JIC	
Stainless Steel, PEHD Wetted Parts	♦	
Weight	187 (412)	kg (lbs)



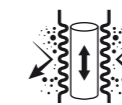
### Technologies



PFE



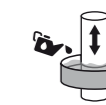
Injectmix



Flowmax® Feeding



GT Sealing



Cup Lub



2 Ball



Triple Chrome Layer

### Performance

- 1 Easy to work plug and spray concept including pumping metering and electronic
  - 2 Quality of mixed materials thanks to the direct injection in the high performance unique design static mixer (INJECTMIX technology)
  - 3 Unsurpassed - 1% mixing accuracy due to the innovative pump change over technology
- ♦ The electronic alerts if needed and constantly monitors the material consumption and calculates the VOC

### Productivity

- 4 Easy and quick learning thanks to the intuitive use
- ♦ Production stop prevented thanks to the design without flowmeter
  - ♦ Constant fluid flow rate thanks to the **Sames** Pulse Free Electronic Control (PFE)
  - ♦ Low cost of ownership for fast Return On Investment (ROI)

### Sustainability

- 5 Stainless steel fluid passages for water-based materials.
  - 6 Durability due to the FLOWMAX® bellow technology on the catalyst side preventing any leaks for moisture sensitive materials
- ♦ Rugged design for industrial use



### Description

